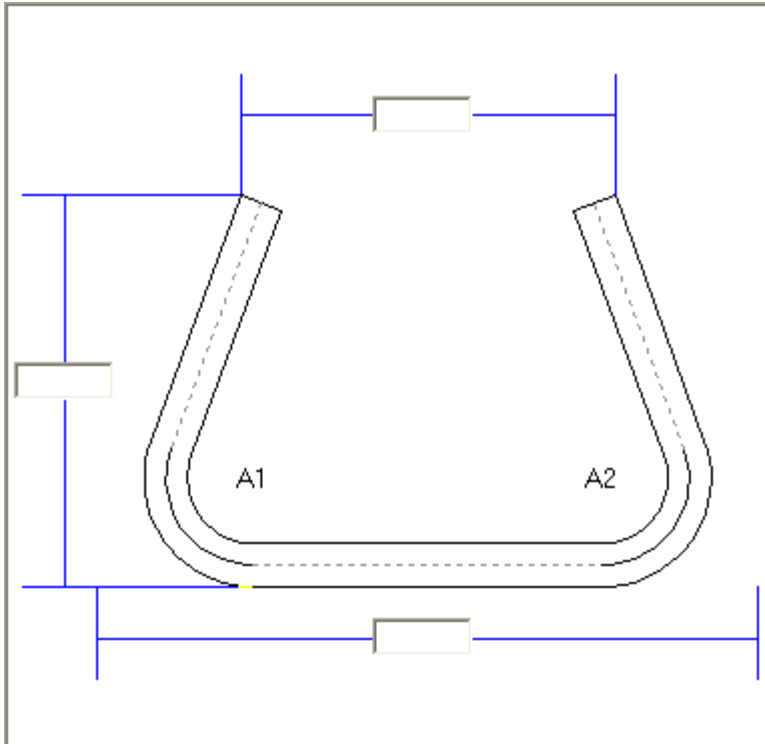


My part isn't coming out with the dims I entered.

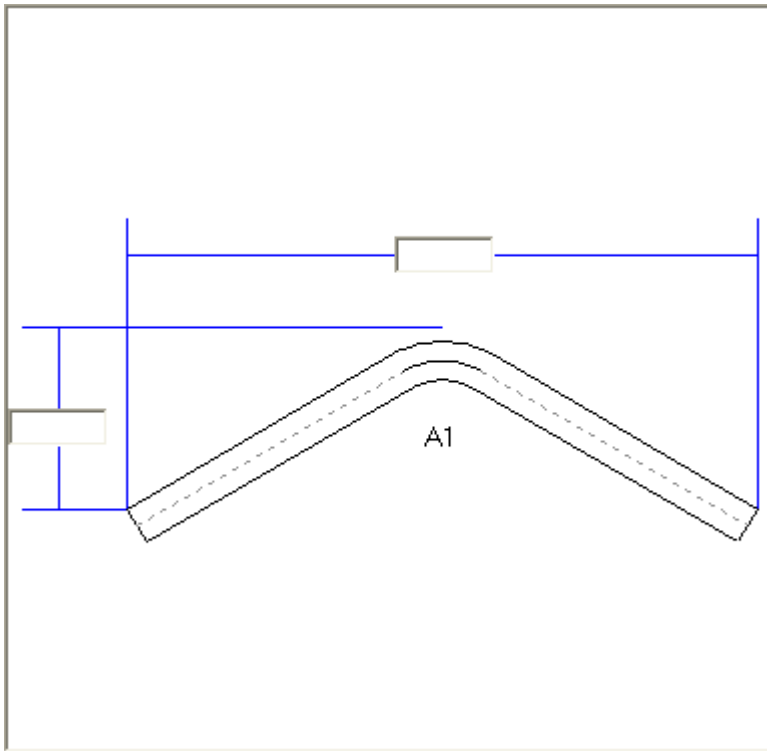
My part isn't coming out with the dims I entered.

Usually this is because of not understanding "Apex". Definition of "Apex" is the intersection of 2 straight lines. The extension lines with many of the templates go to the "Apex" and not the edge of the material. Here is an example:



Notice how the horizontal dimension on the bottom of the drawing has its extension lines out to the left and right. These lines are not representing the edge of the material, but the location where the "apex" of the bend is.

Here is another common example of the same issue:



See how the extension line at the top of the peak is representing how the 2 outside edges intersect each other or the "apex".

The "Apex Finder" under the "Help" menu can be used to find the "Apex" in these situations. Note: Earlier releases of Bend-Tech did not include the "Apex Finder", a paid upgrade may be needed for this enhancement.

